



# SLC ONE SOFT DTW R68-83 Alu TED 1800-3000K CRI90 IP44 3

14/03/2023

## SLC1152



### Product description

One Soft has almost all of the benefits of the One360°, but One major difference: With the One Soft, you trade the tilt and rotate function with a deeper recessed chip that gives a smooth light with very low glare. You still get the high end LED chip together with iso safe design, flexible cut-out hole and low installation depth. The OneSoft thrives just as good in a cornice in the Norwegian winter mountains as in a warm and cosy living room.

One Soft has almost all of the benefits of the One360°, but One major difference: With the One Soft, you trade the tilt and rotate function with a deeper recessed chip that gives a smooth light with very low glare. You still get the high end LED chip together with iso safe design, flexible cut-out hole and low installation depth. The OneSoft thrives just as good in a cornice in the Norwegian winter mountains as in a warm and cosy living room.

- Dimmable (TED) driver included
- Recommended dimmer: SLC SmartOne (S24019)
- \*No installation box required TED
- Suitable for outdoor installation\*
- Sea air resistant\*
- Quick connection box with Loop-in / Loop-Out
- 16 mm Cable/Tube connection



### Technical data

Suitable for built-in mounting	Yes	Suitable for suspended mounting	No
Suitable for ceiling mounting	Yes	Adjustability	Not adjustable
Lamp type	LED not exchangeable	With light source	Yes
Housing material	Aluminium	Surface protection	Powder coating
Housing colour	Silver	Material cover	Plastic, transparent

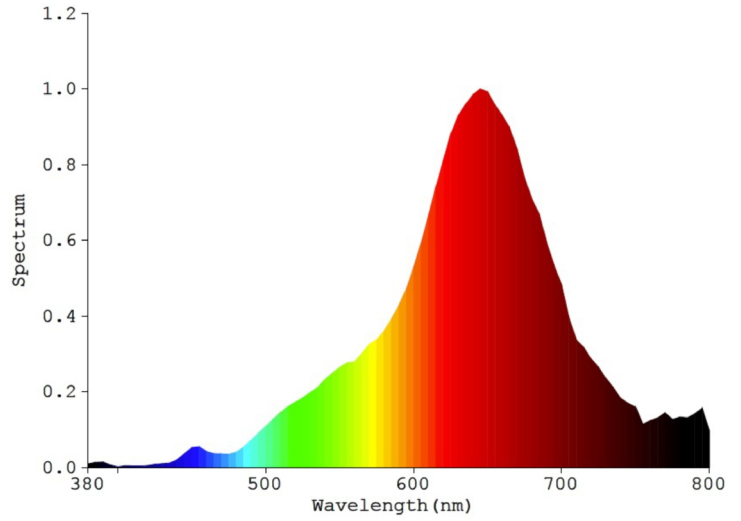
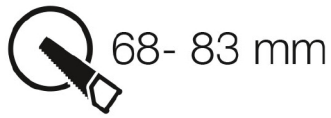
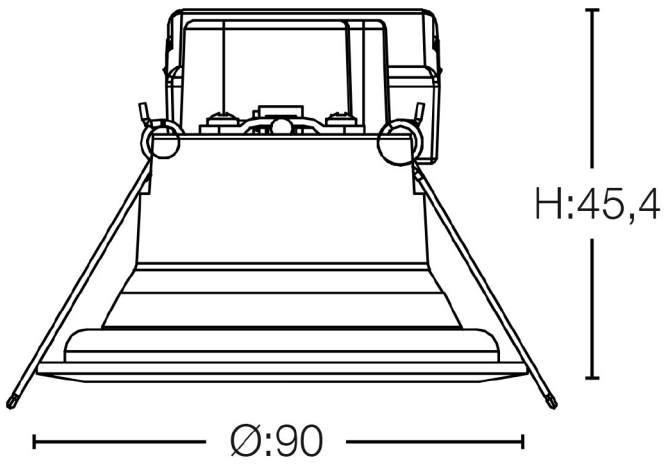




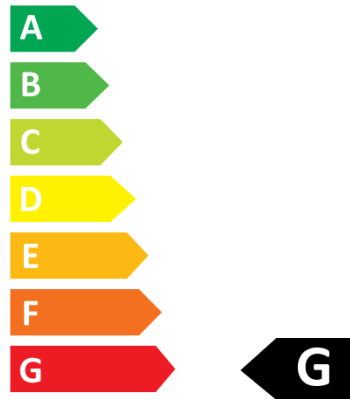
<b>Voltage type</b>	AC/DC
<b>Nominal current</b>	180 - 180 Milliampere
<b>With control gear</b>	Yes
<b>Reflector</b>	High-gloss
<b>Light sharing</b>	Symmetric
<b>Beam angle</b>	Medium beam 21-40°
<b>Energy efficiency class of the light source a</b>	G
<b>Protection class</b>	II
<b>Suitable for lamp power</b>	8 - 8 Watt
<b>Colour of light</b>	White
<b>Colour rendering index CRI</b>	90-100
<b>Rated luminous flux according to IEC 62722-</b>	435 Lumen
<b>Colour of light adjustable</b>	Continuously variable
<b>Beam angle adjustable</b>	No
<b>Outer diameter</b>	90 Millimetre
<b>Built-in height/depth</b>	46 Millimetre
<b>Type of wiring</b>	Suitable for through wiring
<b>Conductor cross section</b>	0,35 Square millimetre
<b>Connection type</b>	Push-in clamp
<b>Strain relief</b>	Yes
<b>Beam angle (°)</b>	36
<b>Operating temperature</b>	-10°C ~ +45°C
<b>Cut-out hole (Ø: mm)</b>	68-83
<b>Dimmable</b>	Yes
<b>Dimming range</b>	1-100%
<b>GTIN</b>	7070938061445
<b>HS Code</b>	94051040

<b>Nominal voltage</b>	220 - 240 Volt
<b>Type of control gear</b>	LED operating device current-controlled
<b>Dimming phase cut-off</b>	Yes
<b>Light distributor</b>	Reflector
<b>Reflector colour</b>	Silver
<b>Light outlet</b>	Direct
<b>Degree of protection (IP)</b>	IP44
<b>Rated ambient temperature according to IEC</b>	-10 - 40 Degrees celsius
<b>Max. system power</b>	8 Watt
<b>Colour temperature</b>	1800 - 3000 Kelvin
<b>Luminous flux</b>	435 - 435 Lumen
<b>Power factor</b>	0,9
<b>Luminous flux adjustable</b>	Continuously variable
<b>Height/depth</b>	46 Millimetre
<b>Built-in width</b>	67 Millimetre
<b>Built-in diameter</b>	68 - 83 Millimetre
<b>Number of poles</b>	3
<b>Connectable conductor cross section</b>	0,75 - 2,5 Square millimetre
<b>Colour consistency (McAdam ellipse)</b>	SDCM3
<b>Colour rendering index (CRI/Ra)</b>	90
<b>Exterior color</b>	Aluminium
<b>Can be installed directly into the insulation</b>	Yes
<b>Dimming method</b>	Trailing edge
<b>Type of control signal</b>	Amplitude modulation (AM)
<b>Brand</b>	SLC
<b>Produced by</b>	The Light Group





Scandinavian Lighting Concept  
SLC1152



8 kWh/1000h

