



SLC ONE SOFT DTW R68-83 BL 352TED 1800-3000K CRI90 IP44

14/03/2023

SLC1144



Product description

One Soft has almost all of the benefits of the One360°, but One major difference: With the One Soft, you trade the tilt and rotate function with a deeper recessed chip that gives a smooth light with very low glare. You still get the high end LED chip together with iso safe design, flexible cut-out hole and low installation depth. The OneSoft thrives just as good in a cornice in the Norwegian winter mountains as in a warm and cosy living room.

One Soft has almost all of the benefits of the One360°, but One major difference: With the One Soft, you trade the tilt and rotate function with a deeper recessed chip that gives a smooth light with very low glare. You still get the high end LED chip together with iso safe design, flexible cut-out hole and low installation depth. The OneSoft thrives just as good in a cornice in the Norwegian winter mountains as in a warm and cosy living room.

- Dimmable (TED) driver included
- Recommended dimmer: SLC SmartOne (S24019)
- *No installation box required TED
- Suitable for outdoor installation*
- Sea air resistant*
- Quick connection box with Loop-in / Loop-Out
- 16 mm Cable/Tube connection



Technical data

Suitable for built-in mounting	Yes
Suitable for ceiling mounting	Yes
Lamp type	LED not exchangeable
Housing material	Aluminium
Housing colour	Black

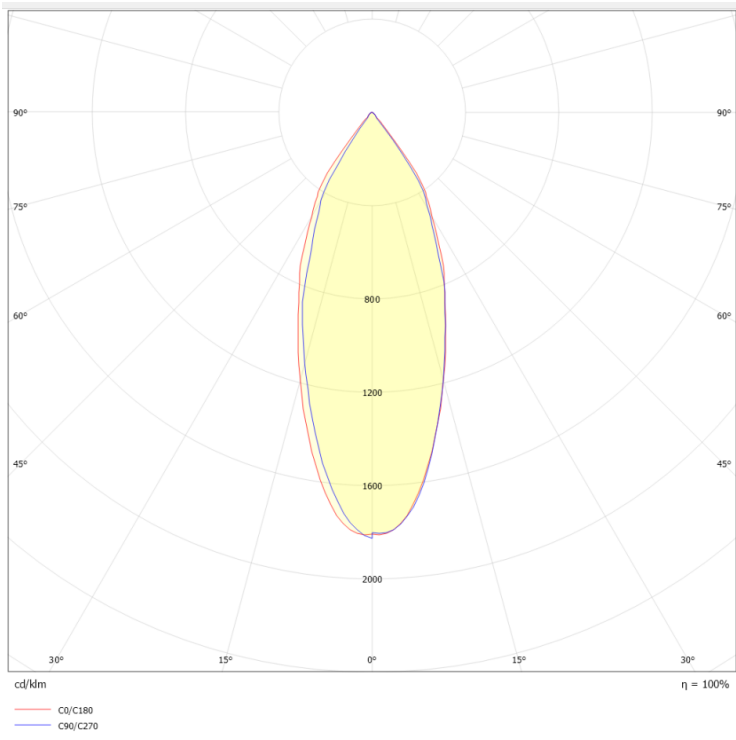
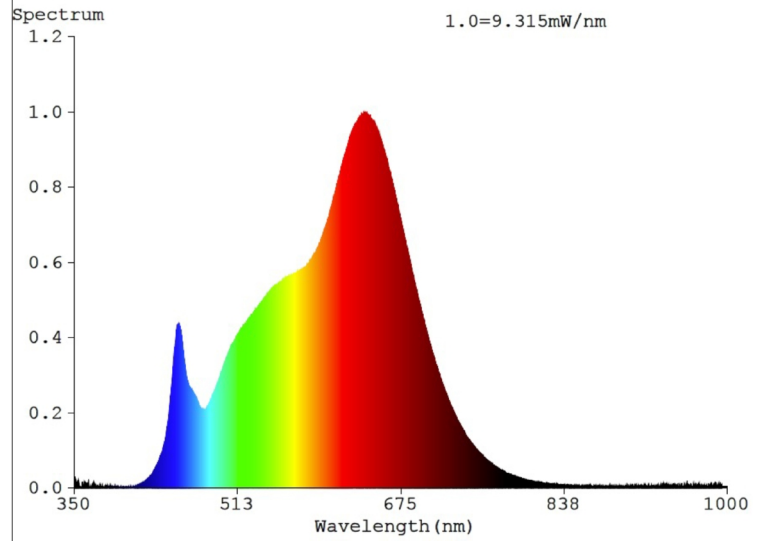
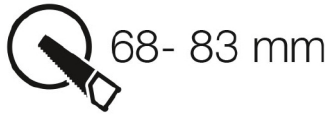
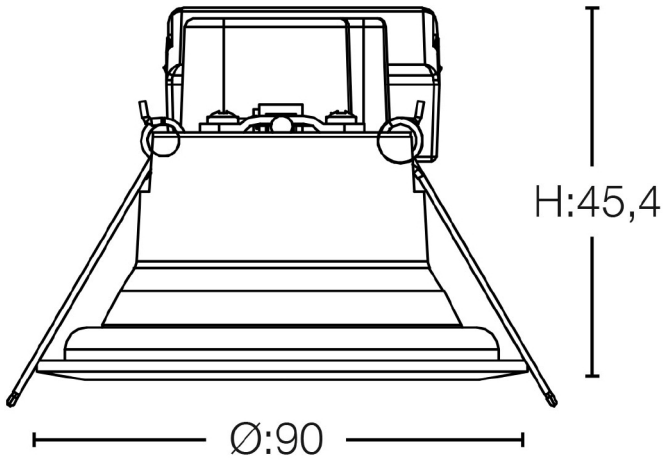
Suitable for suspended mounting	No
Adjustability	Not adjustable
With light source	Yes
Surface protection	Powder coating
Material cover	Plastic, transparent



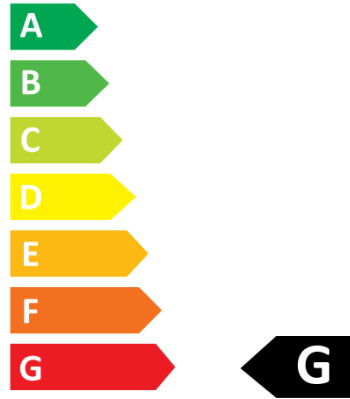
Voltage type	AC/DC
Nominal current	180 - 180 Milliampere
With control gear	Yes
Reflector	High-gloss
Light sharing	Symmetric
Beam angle	Medium beam 21-40°
Energy efficiency class of the light source a	G
Protection class	II
Suitable for lamp power	8 - 8 Watt
Colour of light	White
Colour rendering index CRI	90-100
Rated luminous flux according to IEC 62722-	352 Lumen
Colour of light adjustable	Continuously variable
Beam angle adjustable	No
Outer diameter	90 Millimetre
Built-in height/depth	46 Millimetre
Type of wiring	Suitable for through wiring
Conductor cross section	0,35 Square millimetre
Connection type	Push-in clamp
Strain relief	Yes
Beam angle (°)	36
Operating temperature	-10°C ~ +45°C
Cut-out hole (Ø: mm)	68-83
Dimmable	Yes
Dimming range	1-100%
GTIN	7070938061445
HS Code	94051040

Nominal voltage	220 - 240 Volt
Type of control gear	LED operating device current-controlled
Dimming phase cut-off	Yes
Light distributor	Reflector
Reflector colour	Silver
Light outlet	Direct
Degree of protection (IP)	IP44
Rated ambient temperature according to IEC	-10 - 40 Degrees celsius
Max. system power	8 Watt
Colour temperature	1800 - 3000 Kelvin
Luminous flux	352 - 352 Lumen
Power factor	0,9
Luminous flux adjustable	Continuously variable
Height/depth	46 Millimetre
Built-in width	67 Millimetre
Built-in diameter	68 - 83 Millimetre
Number of poles	3
Connectable conductor cross section	0,75 - 2,5 Square millimetre
Colour consistency (McAdam ellipse)	SDCM3
Colour rendering index (CRI/Ra)	90
Exterior color	White
Can be installed directly into the insulation	Yes
Dimming method	Trailing edge
Type of control signal	Amplitude modulation (AM)
Brand	SLC
Produced by	The Light Group





Scandinavian Lighting Concept
SLC1144



8 kWh/1000h

