



SLC DL04 R83 WH 700TED 3000K CRI90 IP54 36°

14/03/2023

SLC1102



Product description

The SLC DL04 Round X1 is a tiltable recessed luminaire, providing an excellent lighting experience and a discrete look. A modern, deeply recessed LED chip provides a pleasant light with low glare and a good colour rendering.

The SLC DL04 Round X1 is a tiltable recessed luminaire, providing an excellent lighting experience and a discrete look. A modern, deeply recessed LED chip provides a pleasant light with low glare and a good colour rendering.

- Tiltable (25°)
- CRI Ra>90
- UGR<22
- Dimmable (TED driver included)
- Recommended dimmer: SLC SmartOne (S24019)
- Easy mounting with Slidlock - no visible screws
- Quick connection box with Loop-in / Loop-Out
- 16 mm cable tube



Technical data

Suitable for surface mounting	No
Suitable for suspended mounting	No
Suitable for traverse mounting	No
Suitable for light-track mounting	No
Suitable for low voltage cable system	No
Lamp type	LED not exchangeable
Housing material	Aluminium
Housing colour	White

Suitable for built-in mounting	Yes
Suitable for ceiling mounting	Yes
Suitable for pedestal/floor mounting	No
Suitable for clamp-mounting	No
Adjustability	Swivelling
With light source	Yes
Surface protection	Powder coating
Material cover	Plastic, transparent

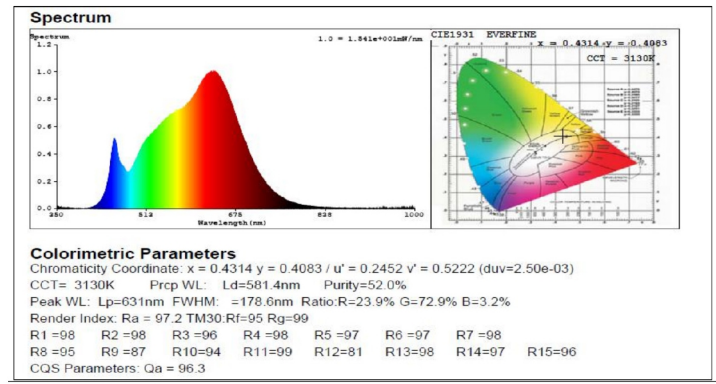
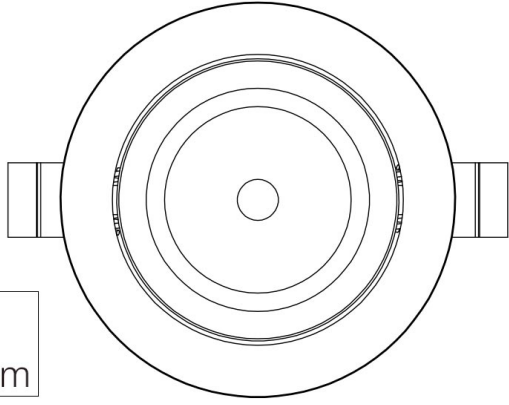
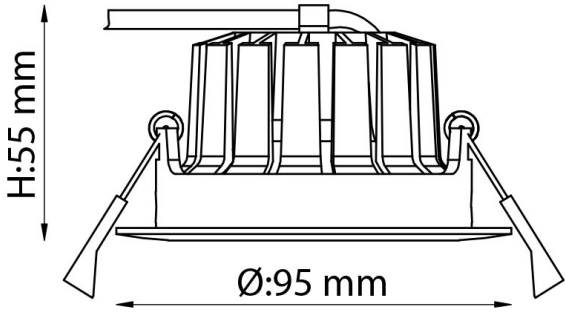




Voltage type	AC/DC
Nominal current	230 - 230 Milliampere
With control gear	Yes
Reflector	High-gloss
Light sharing	Symmetric
Beam angle	Medium beam 21-40°
Energy efficiency class of the light source a	F
Protection class	II
Max. system power	10 Watt
Colour temperature	3000 - 3000 Kelvin
Luminous flux	700 - 700 Lumen
Power factor	0,9
Luminous flux adjustable	Continuously variable
Width	95 Millimetre
Outer diameter	95 Millimetre
Built-in height/depth	55 Millimetre
Type of wiring	Suitable for through wiring
Conductor cross section	0,35 Square millimetre
Connection type	Push-in clamp
Strain relief	Yes
Beam angle (°)	36
Exterior color	White
Cut-out hole (Ø: mm)	83
Dimmable	Yes
Dimming range	1-100%
GTIN	7070938055147
HS Code	94051040

Nominal voltage	220 - 240 Volt
Type of control gear	LED operating device current-controlled
Dimming phase cut-off	Yes
Light distributor	Reflector
Reflector colour	Silver
Light outlet	Direct
Degree of protection (IP)	IP54
Rated ambient temperature according to IEC	-10 - 40 Degrees celsius
Colour of light	White
Colour rendering index CRI	90-100
Rated luminous flux according to IEC 62722-	700 Lumen
Colour of light adjustable	No
Beam angle adjustable	No
Height/depth	55 Millimetre
Built-in width	83 Millimetre
Built-in diameter	83 - 83 Millimetre
Number of poles	3
Connectable conductor cross section	0,75 - 2,5 Square millimetre
Colour consistency (McAdam ellipse)	SDCM3
Colour rendering index (CRI/Ra)	90
Tilt-able (°)	25
Operating temperature	-10°C ~ +45°C
Dimming method	Trailing edge
Type of control signal	Amplitude modulation (AM)
Brand	SLC
Produced by	The Light Group

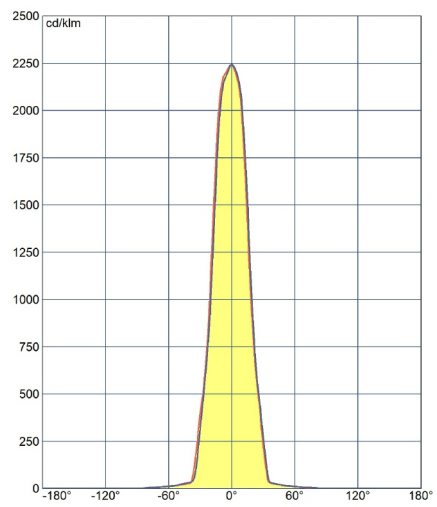




Diam=50mm

C Halfplanes
 180.0 — 0.0
 270.0 — 90.0

Flux 691 lm
 Maximum 2244.33 cd/km
 Position C=90.00 G=0.00
 Efficiency: 100.00%
 Date: 10-08-2021
 Asymmetrical



Scandinavian Lighting Concept
SLC1102

A B C D E F G

9
 kWh/1000h

2019/2015