



# SLC ONE 360 DTW R68-83 WH 444TED 1800-3000K CRI90 IP44

14/03/2023

## SLC1141



### Product description

One 360° is "a jack of all trades" downlight for all types of installations. If you could only choose One downlight, the One360° would be your best choice. You cant go wrong with a semi-recessed high end LED chip together with tilt/ rotate, iso safe design, flexible cut-out hole and low installation depth. The One 360° thrives just as good in a cornice in the Norwegian mountains as in a warm and cosy living room.

One 360° is "a jack of all trades" downlight for all types of installations. If you could only choose One downlight, the One360° would be your best choice. You cant go wrong with a semi-recessed high end LED chip together with tilt/ rotate, iso safe design, flexible cut-out hole and low installation depth. The One 360° thrives just as good in a cornice in the Norwegian winter mountains as in a warm and cosy living room.

- Dimmable (TED) driver included
- Recommended dimmer: SLC SmartOne (S24019)
- \*No installation box required (TED)
- Tilttable 30° in all directions (360°)
- Suitable for outdoor installation\*
- Quick connection box with Loop-in / Loop-Out
- 16 mm Cable/Tube connection
- 16 mm Cable/Tube connection



### Technical data

Suitable for built-in mounting	Yes
Suitable for ceiling mounting	Yes
Lamp type	LED not exchangeable
Housing material	Aluminium
Housing colour	White
Surface brushed	No
Nominal voltage	220 - 240 Volt

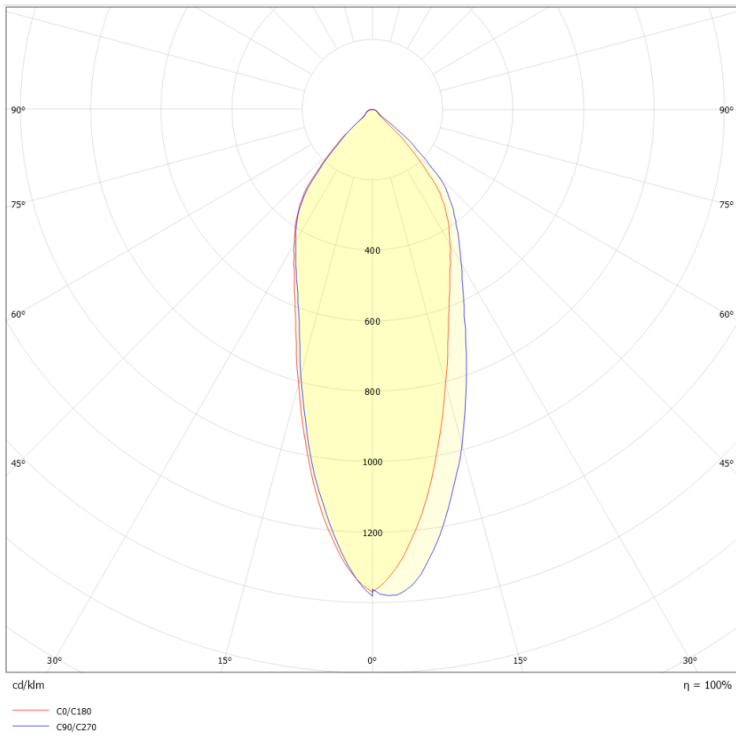
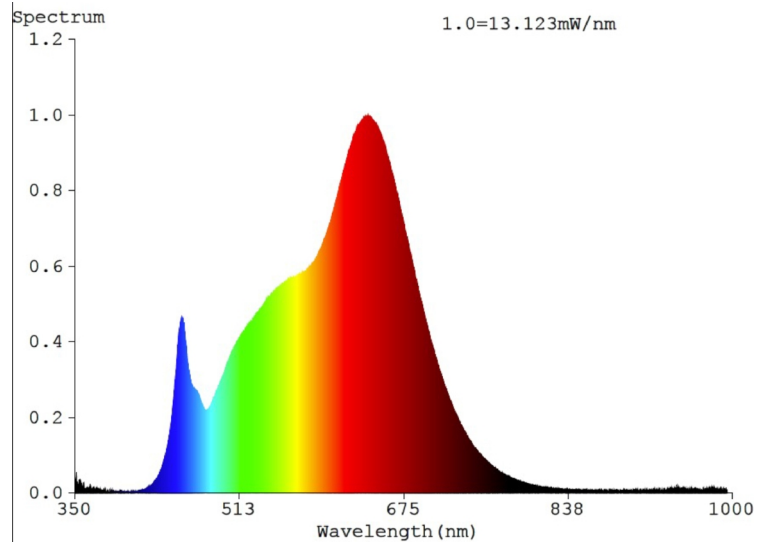
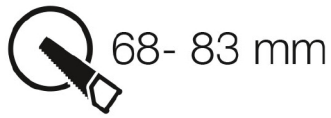
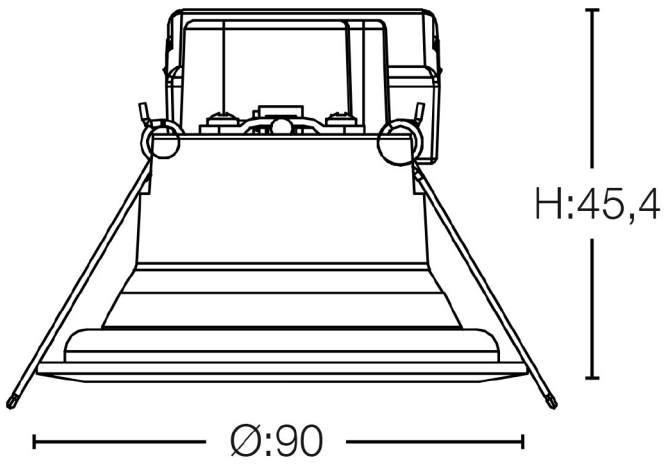
Suitable for suspended mounting	No
Adjustability	Rotating and swivelling
With light source	Yes
Surface protection	Powder coating
Material cover	Plastic, transparent
Voltage type	AC/DC
Nominal current	180 - 180 Milliampere



Type of control gear	LED operating device current-controlled
Dimming phase cut-off	Yes
Light distributor	Reflector
Reflector colour	Silver
Light outlet	Direct
Degree of protection (IP)	IP44
Rated ambient temperature according to IEC	-10 - 45 Degrees celsius
Colour of light	White
Colour rendering index CRI	90-100
Rated luminous flux according to IEC 62722-	444 Lumen
Colour of light adjustable	Continuously variable
Beam angle adjustable	No
Built-in width	67 Millimetre
Built-in diameter	68 - 83 Millimetre
Number of poles	3
Connectable conductor cross section	0,75 - 2,5 Square millimetre
Luminaire efficacy	75 Lumen/Watt
Strain relief	Yes
Beam angle (°)	36
Rotate (°)	30
Operating temperature	-10°C ~ +45°C
Cut-out hole (Ø: mm)	68-83
Dimmable	Yes
Dimming range	1-100%
GTIN	7070938061377
HS Code	94051040

With control gear	Yes
Reflector	High-gloss
Light sharing	Symmetric
Beam angle	Medium beam 21-40°
Energy efficiency class of the light source a	G
Protection class	II
Max. system power	8 Watt
Colour temperature	1800 - 3000 Kelvin
Luminous flux	444 - 444 Lumen
Power factor	0,9
Luminous flux adjustable	Continuously variable
Outer diameter	90 Millimetre
Built-in height/depth	46 Millimetre
Type of wiring	Suitable for through wiring
Conductor cross section	0,35 Square millimetre
Connection type	Push-in clamp
Colour consistency (McAdam ellipse)	SDCM3
Colour rendering index (CRI/Ra)	90
Tilt-able (°)	360
Exterior color	White
Can be installed directly into the insulation	Yes
Dimming method	Trailing edge
Type of control signal	Amplitude modulation (AM)
Brand	SLC
Produced by	The Light Group





**ENERGY**

Scandinavian Lighting Concept  
SLC1141

A  
B  
C  
D  
E  
F  
G

**8** kWh/1000h

2019/2015

