



SLC DL04 R83 BL 700TED 3000K CRI90 IP54 36°

14/03/2023

SLC1104



Product description

The SLC DL04 Round X1 is a tiltable recessed luminaire, providing an excellent lighting experience and a discrete look. A modern, deeply recessed LED chip provides a pleasant light with low glare and a good colour rendering.

The SLC DL04 Round X1 is a tiltable recessed luminaire, providing an excellent lighting experience and a discrete look. A modern, deeply recessed LED chip provides a pleasant light with low glare and a good colour rendering.

- Tiltable (25°)
- CRI Ra>90
- UGR<22
- Dimmable (TED driver included)
- Recommended dimmer: SLC SmartOne (S24019)
- Easy mounting with Slidlock - no visible screws
- Quick connection box with Loop-in / Loop-Out
- 16 mm cable tube



Technical data

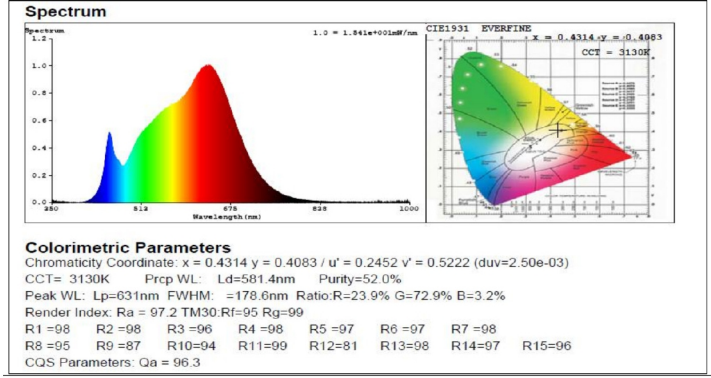
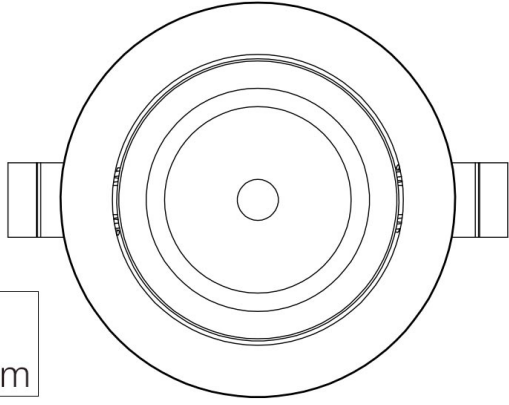
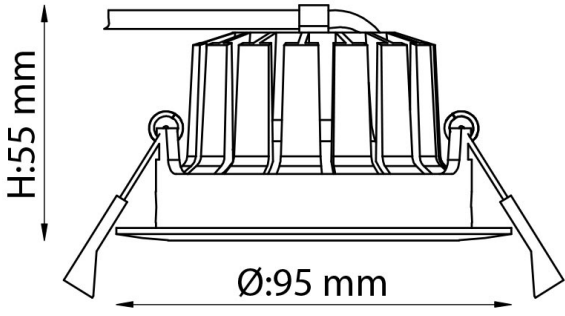
Suitable for built-in mounting	Yes	Suitable for suspended mounting	No
Suitable for ceiling mounting	Yes	Adjustability	Swivelling
Lamp type	LED not exchangeable	With light source	Yes
Housing material	Aluminium	Surface protection	Powder coating
Housing colour	Black	Material cover	Plastic, transparent
Voltage type	AC/DC	Nominal voltage	220 - 240 Volt
Nominal current	230 - 230 Milliampere	Type of control gear	LED operating device current-controlled
With control gear	Yes	Dimming phase cut-off	Yes





Reflector	High-gloss
Light sharing	Symmetric
Beam angle	Medium beam 21-40°
Energy efficiency class of the light source a	F
Protection class	II
Max. system power	10 Watt
Colour temperature	3000 - 3000 Kelvin
Luminous flux	700 - 700 Lumen
Power factor	0,9
Luminous flux adjustable	Continuously variable
Width	95 Millimetre
Outer diameter	95 Millimetre
Built-in height/depth	55 Millimetre
Type of wiring	Suitable for through wiring
Conductor cross section	0,35 Square millimetre
Connection type	Push-in clamp
Strain relief	Yes
Beam angle (°)	36
Exterior color	Black
Cut-out hole (Ø: mm)	83
Dimmable	Yes
Dimming range	1-100%
GTIN	7070938055161
HS Code	94051040

Light distributor	Reflector
Reflector colour	Silver
Light outlet	Direct
Degree of protection (IP)	IP54
Rated ambient temperature according to IEC	-10 - 40 Degrees celsius
Colour of light	White
Colour rendering index CRI	90-100
Rated luminous flux according to IEC 62722-	700 Lumen
Colour of light adjustable	No
Beam angle adjustable	No
Height/depth	55 Millimetre
Built-in width	83 Millimetre
Built-in diameter	83 - 83 Millimetre
Number of poles	3
Connectable conductor cross section	0,75 - 2,5 Square millimetre
Colour consistency (McAdam ellipse)	SDCM3
Colour rendering index (CRI/Ra)	90
Tilt-able (°)	25
Operating temperature	-10°C ~ +45°C
Dimming method	Trailing edge
Type of control signal	Amplitude modulation (AM)
Brand	SLC
Produced by	The Light Group



Scandinavian Lighting Concept
 SLC1104

A B C D E F G

9 kWh/1000h

2019/2015