



## SLC ONE SOFT R68-83 WH 627TED 3000K CRI90 IP44 36°

14/03/2023

### SLC1125



### Product description

SLC OneSoft Downlight is a high-quality lighting solution with low glare and easy installation. It fits cut-out holes with a diameter of 68-83mm and can be directly mounted in insulation. It comes fully assembled and in environmentally friendly packaging. It's perfect for lighting rooms with screens and TVs, has a dimmable driver, and is ideal for installation in low-height ceilings. It is CE and ROHS-certified and flicker-free.

If you're looking for a high-quality lighting solution with low glare and easy installation, look no further than SLC OneSoft Downlight. This innovative and flexible downlight fits cut-out holes with a diameter of 68-83mm and can be directly mounted in insulation, eliminating the need for a separate ceiling box.

To make the installation process even easier, SLC OneSoft comes fully assembled and packaged in environmentally friendly, plastic-free packaging. Simply unpack and install - no mess, no fuss.

Not only is SLC OneSoft Downlight practical and easy to install, it's also perfect for lighting rooms with screens and TVs. Its recessed light source ensures even lighting without glare, and it comes complete with a dimmable driver for adjusting the light intensity as needed.

With a built-in low height of just 46mm, SLC OneSoft Downlight is ideal for installation in low-height ceilings. And, as it's CE and ROHS certified, you can be confident that it meets high environmental and safety standards. Plus, it's flicker-free, making it an excellent choice for illuminating work areas where eyes are taxed for longer periods.

In short, SLC OneSoft Downlight is the perfect solution for all your lighting needs.

- Dimmable (TED) driver included
- Recommended dimmer: SLC SmartOne (S24019)
- \*No installation box required (for Trailing Edge version)
- Suitable for outdoor installation\*
- Sea air resistant\*
- Quick connection box with Loop-in / Loop-Out
- 16 mm Cable/Tube connection



### Technical data

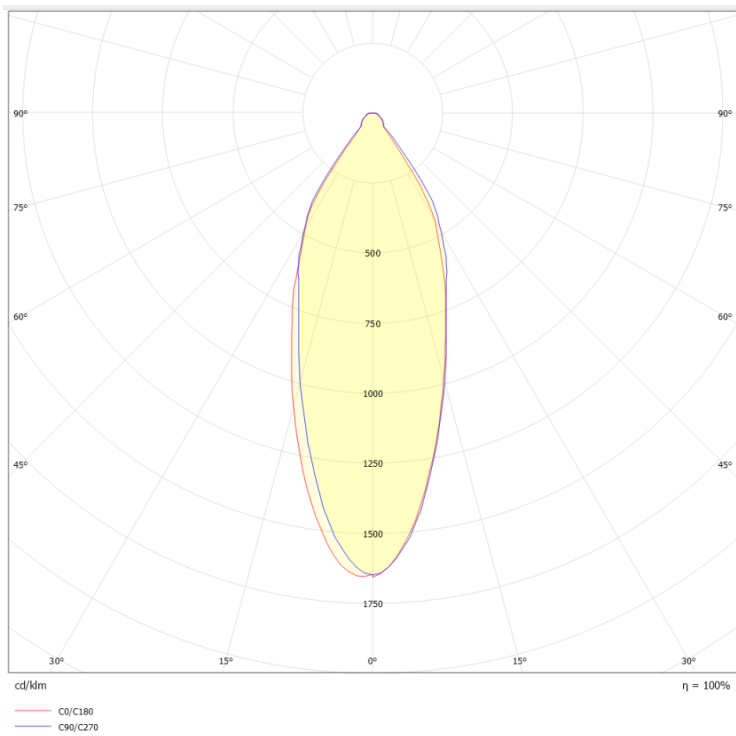
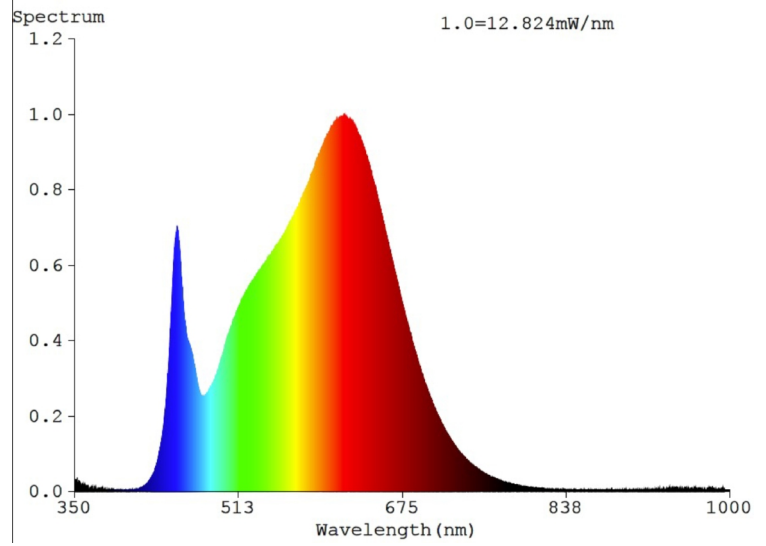
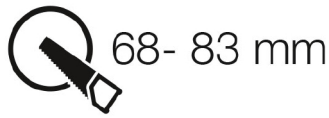
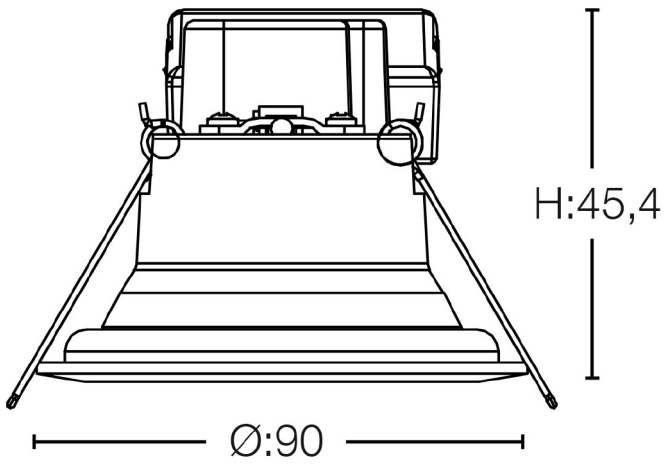
Suitable for built-in mounting	Yes	Suitable for suspended mounting	No
Suitable for ceiling mounting	Yes	Adjustability	Not adjustable
Lamp type	LED not exchangeable	With light source	Yes





Housing material	Aluminium
Housing colour	White
Voltage type	AC/DC
Nominal current	180 - 180 Milliampere
With control gear	Yes
Reflector	High-gloss
Light sharing	Symmetric
Beam angle	Medium beam 21-40°
Energy efficiency class of the light source a	G
Protection class	II
Suitable for lamp power	8 - 8 Watt
Colour of light	White
Colour rendering index CRI	90-100
Power factor	0,9
Luminous flux adjustable	Continuously variable
Height/depth	46 Millimetre
Built-in width	67 Millimetre
Built-in diameter	68 - 83 Millimetre
Number of poles	3
Connectable conductor cross section	0,75 - 2,5 Square millimetre
Colour consistency (McAdam ellipse)	SDCM3
Colour rendering index (CRI/Ra)	90
Exterior color	White
Can be installed directly into the insulation	Yes
Dimming method	Trailing edge
Type of control signal	Amplitude modulation (AM)
Brand	SLC
Produced by	The Light Group
RAL Colour	RAL9016

Surface protection	Powder coating
Material cover	Plastic, transparent
Nominal voltage	220 - 240 Volt
Type of control gear	LED operating device current-controlled
Dimming phase cut-off	Yes
Light distributor	Reflector
Reflector colour	Silver
Light outlet	Direct
Degree of protection (IP)	IP44
Rated ambient temperature according to IEC	-10 - 40 Degrees celsius
Max. system power	8 Watt
Colour temperature	3000 - 3000 Kelvin
Rated luminous flux according to IEC 62722-	627 Lumen
Colour of light adjustable	No
Beam angle adjustable	No
Outer diameter	90 Millimetre
Built-in height/depth	46 Millimetre
Type of wiring	Suitable for through wiring
Conductor cross section	0,35 Square millimetre
Connection type	Push-in clamp
Strain relief	Yes
Beam angle (°)	36
Operating temperature	-10°C ~ +45°C
Cut-out hole (Ø: mm)	68-83
Dimmable	Yes
Dimming range	1-100%
GTIN	7070938061438
HS Code	94051040



**ENERGY**

Scandinavian Lighting Concept  
SLC1125

A  
B  
C  
D  
E  
F  
G

**8**  
kWh/1000h

2019/2015