



## SLC ONE 360 R68-83 BL 682TED 4000K CRI90 IP44 36°

12/01/2023

### SLC1171



### Product description

One 360° is "a jack of all trades" downlight for all types of installations. If you could only choose One downlight, the One360° would be your best choice. You cant go wrong with a semi-recessed high end LED chip together with tilt/ rotate, iso safe design, flexible cut-out hole and low installation depth. The One 360° thrives just as good in a cornice in the Norwegian winter mountains as in a warm and cosy living room.

One 360° is "a jack of all trades" downlight for all types of installations. If you could only choose One downlight, the One360° would be your best choice. You cant go wrong with a semi-recessed high end LED chip together with tilt/ rotate, iso safe design, flexible cut-out hole and low installation depth. The One 360° thrives just as good in a cornice in the Norwegian winter mountains as in a warm and cosy living room.

- Dimmable (TED) driver included
- Recommended dimmer: SLC SmartOne (S24019)
- \*No installation box required (TED)
- Tilttable 30° in all directions (360°)
- Suitable for outdoor installation\*
- Quick connection box with Loop-in / Loop-Out
- 16 mm Cable/Tube connection



### Technical data

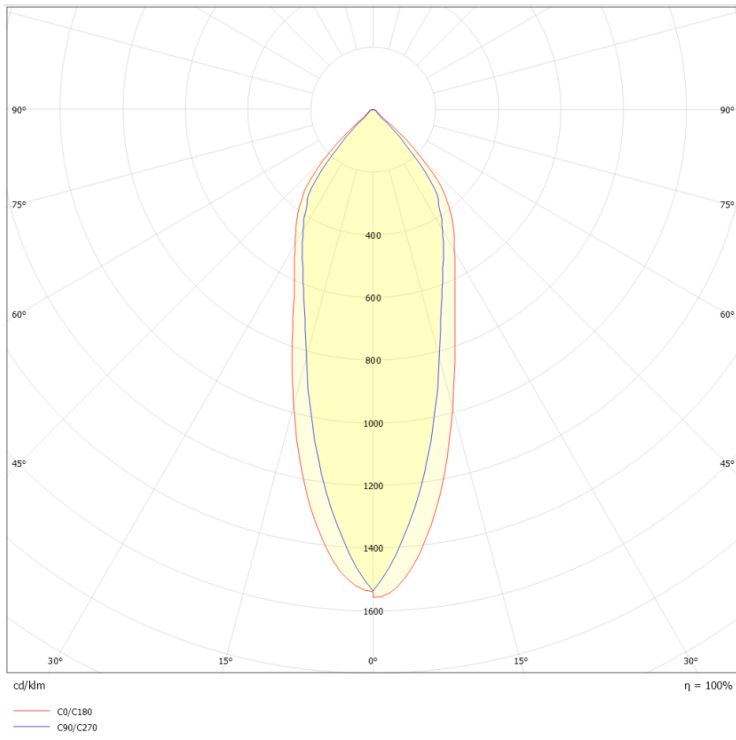
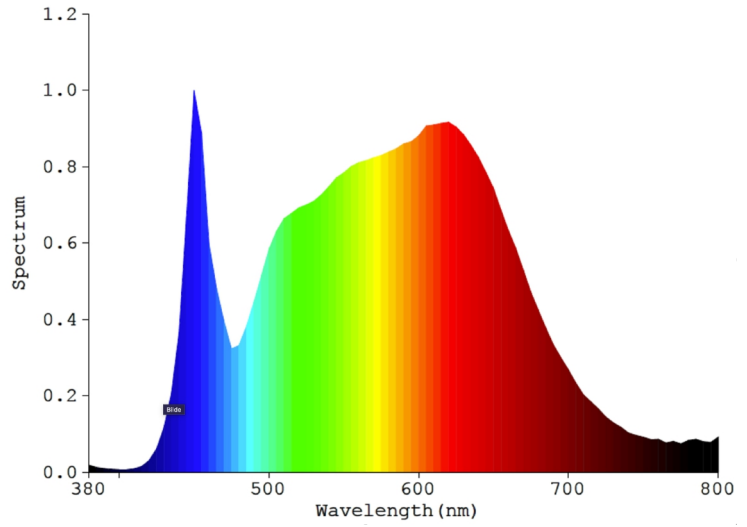
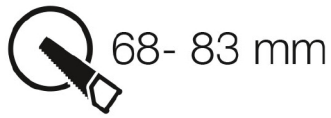
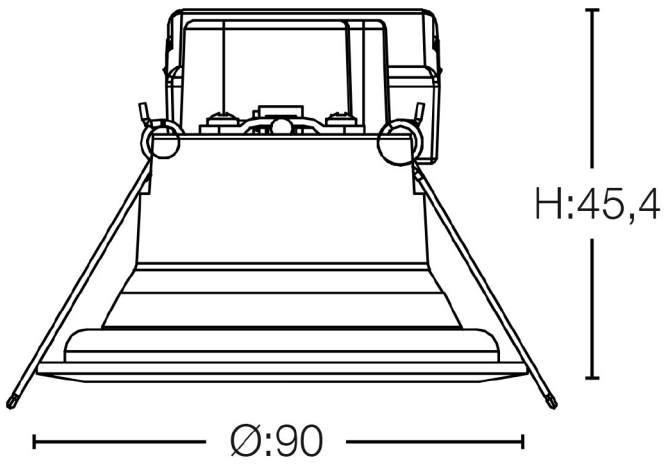
Suitable for built-in mounting	Yes	Suitable for wall mounting	No
Suitable for suspended mounting	No	Suitable for ceiling mounting	Yes
Adjustability	Rotating and swivelling	Lamp type	LED not exchangeable
With light source	Yes	Material housing	Aluminium
Surface protection	Powder coating	Colour housing	Black
Material cover	Plastic, transparent	Voltage type	AC/DC
Nominal voltage	220 - 240 V	LED nominal current at constant current	180 - 180 mA





Type of control gear	LED operating device current-controlled
Dimming phase cut-off	Yes
Light distributor	Reflector
Beam angle	Medium beam 21-40°
Rated life time L80/B10 at 25 °C	50000 h
Protection class	II
Max. system power	8 W
Colour temperature	4000 - 4000 K
Luminous flux	682 - 682 lm
Lamp efficacy	85 lm/W
Outer diameter	90 mm
Built-in height/depth	46 mm
Type of wiring	Suitable for through wiring
Conductor cross section	0,35 mm <sup>2</sup>
Connection type	Plug clamp
Colour consistency (McAdam ellipse)	SDCM3
Colour rendering index (CRI/Ra)	90
Tilt-able (°)	360
Exterior color	Black
Can be installed directly into the insulation	Yes
Dimming method	Trailing edge
Type of control signal	Amplitude modulation (AM)
Brand	SLC
Produced by	The Light Group
RAL Colour	RAL9005

Control gear included	Yes
Reflector	High-gloss
Light sharing	Symmetric
Light outlet	Direct
Degree of protection (IP)	IP44
Rated ambient temperature according to IEC	-10 - 45 °C
Colour of light	White
Colour rendering index CRI	90-100
Rated luminous flux according to IEC 62722-	682 lm
Power factor	0,9
Built-in width	67 mm
Built-in diameter	68 mm
Number of poles	3
Connectable conductor cross section	0,75 - 2,5 mm <sup>2</sup>
Luminaire efficacy	75 lm/W
Strain relief	Yes
Beam angle (°)	36
Rotate (°)	30
Operating temperature	-10°C ~ +45°C
Cut-out hole (Ø: mm)	68-83
Dimmable	Yes
Dimming range	1-100%
GTIN	7070938061414
HS Code	94051040



ENERGY label for SLC1171 showing energy efficiency class F, 8 kWh/1000h, and QR code.