



# SLC ONE 360 DTW R68-83 BL 440TED 1800-3000K CRI90 IP44 3

14/03/2023

## SLC1142



### Product description

One 360° is "a jack of all trades" downlight for all types of installations. If you could only choose One downlight, the One360° would be your best choice. You cant go wrong with a semi-recessed high end LED chip together with tilt/ rotate, iso safe design, flexible cut-out hole and low installation depth. The One 360° thrives just as good in a cornice in the Norwegian mountains as in a warm and cosy living room.

#### Quick and easy installation

We have always been thinking about electrician when developing our products. Focusing on solutions which is practical and easy for the installer. One 360° and OneSoft comes with a quick connector between the downlight and driver so you can easily detach the downlight from the driver. We also use quick connection boxes with strain relief and connection for tubes.

#### One downlight for indoor and outdoor use

We have created a downlight which is suitable for outdoor and indoor use. The downlight is not 100% water sealed but it is resistant enough to be used outdoors (IP44).

#### Perfect for rehab projects

We created a downlight for all existing cut-out holes from 68-83 mm. This combined with a low installation height of just 46 mm, makes this downlight perfect for replacing old halogen downlights. You can also install these downlights directly into the insulation.

#### SLC One360° for new and rehab projects

- Can be mounted into insulation, up to the moisture barrier
- No installation box required
- Tilts 30° in all directions (360°)
- Suitable for outside installation
- Quick Connection
- 16 mm Cable/Tube connection



### Technical data

Suitable for built-in mounting	Yes	Suitable for suspended mounting	No
Suitable for ceiling mounting	Yes	Adjustability	Rotating and swivelling
Lamp type	LED not exchangeable	With light source	Yes
Housing material	Aluminium	Surface protection	Powder coating

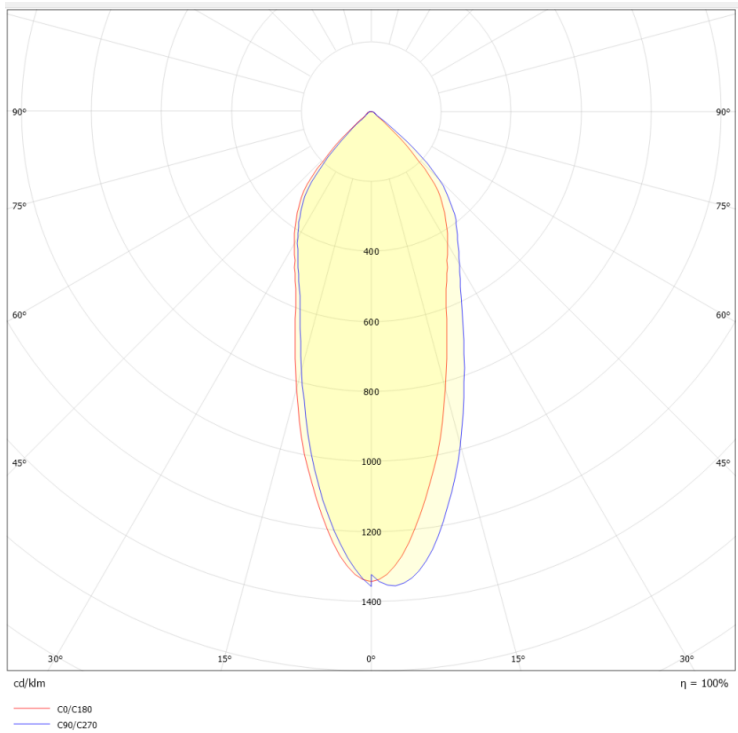
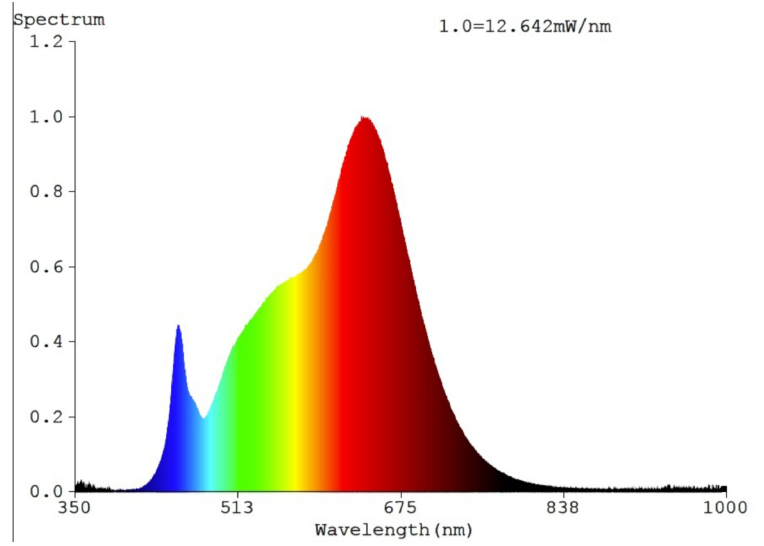
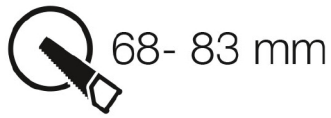
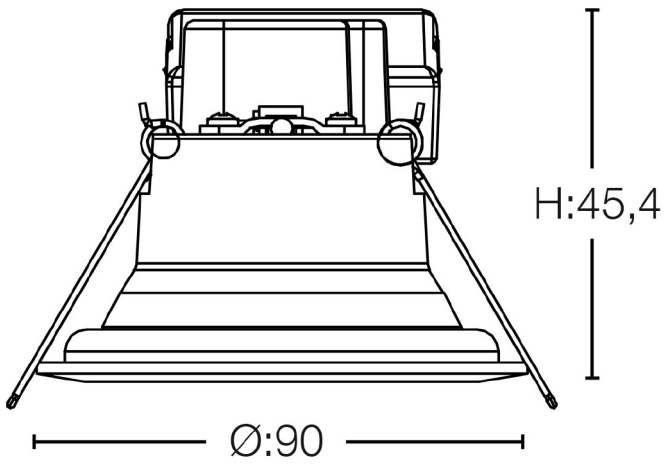




Housing colour	Black
Voltage type	AC/DC
Nominal current	180 - 180 Milliampere
With control gear	Yes
Reflector	High-gloss
Light sharing	Symmetric
Beam angle	Medium beam 21-40°
Energy efficiency class of the light source a	G
Protection class	II
Max. system power	8 Watt
Colour temperature	1800 - 3000 Kelvin
Luminous flux	440 - 440 Lumen
Power factor	0,9
Luminous flux adjustable	Continuously variable
Outer diameter	90 Millimetre
Built-in height/depth	46 Millimetre
Type of wiring	Suitable for through wiring
Conductor cross section	0,35 Square millimetre
Connection type	Push-in clamp
Colour consistency (McAdam ellipse)	SDCM3
Colour rendering index (CRI/Ra)	90
Tilt-able (°)	360
Exterior color	Black
Can be installed directly into the insulation	Yes
Dimming method	Trailing edge
Type of control signal	Amplitude modulation (AM)
Brand	SLC
Produced by	The Light Group

Material cover	Plastic, transparent
Nominal voltage	220 - 240 Volt
Type of control gear	LED operating device current-controlled
Dimming phase cut-off	Yes
Light distributor	Reflector
Reflector colour	Silver
Light outlet	Direct
Degree of protection (IP)	IP44
Rated ambient temperature according to IEC	-10 - 45 Degrees celsius
Colour of light	White
Colour rendering index CRI	90-100
Rated luminous flux according to IEC 62722-	440 Lumen
Colour of light adjustable	Continuously variable
Beam angle adjustable	No
Built-in width	67 Millimetre
Built-in diameter	68 - 83 Millimetre
Number of poles	3
Connectable conductor cross section	0,75 - 2,5 Square millimetre
Luminaire efficacy	75 Lumen/Watt
Strain relief	Yes
Beam angle (°)	36
Rotate (°)	30
Operating temperature	-10°C ~ +45°C
Cut-out hole (Ø: mm)	68-83
Dimmable	Yes
Dimming range	1-100%
GTIN	7070938061414
HS Code	94051040





**ENERGY**  
 Scandinavian Lighting Concept  
 SLC1142

A  
 B  
 C  
 D  
 E  
 F  
 G

**8**  
 kWh/1000h

2019/2015