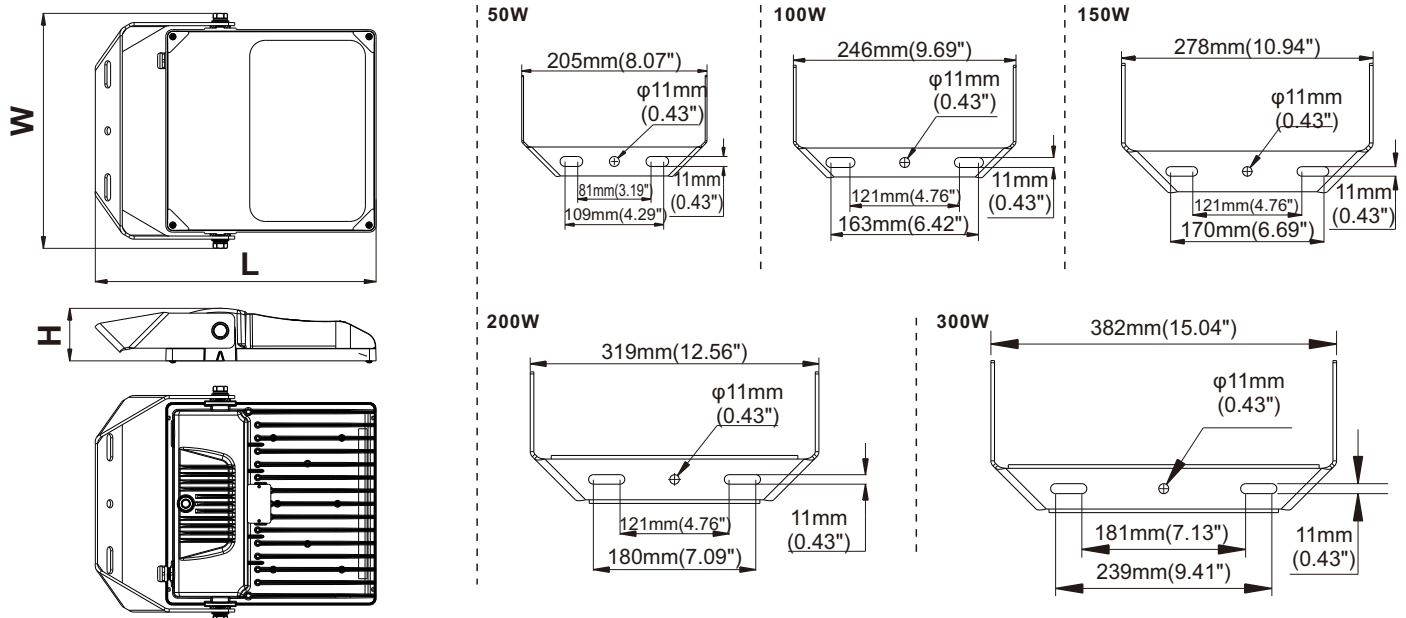
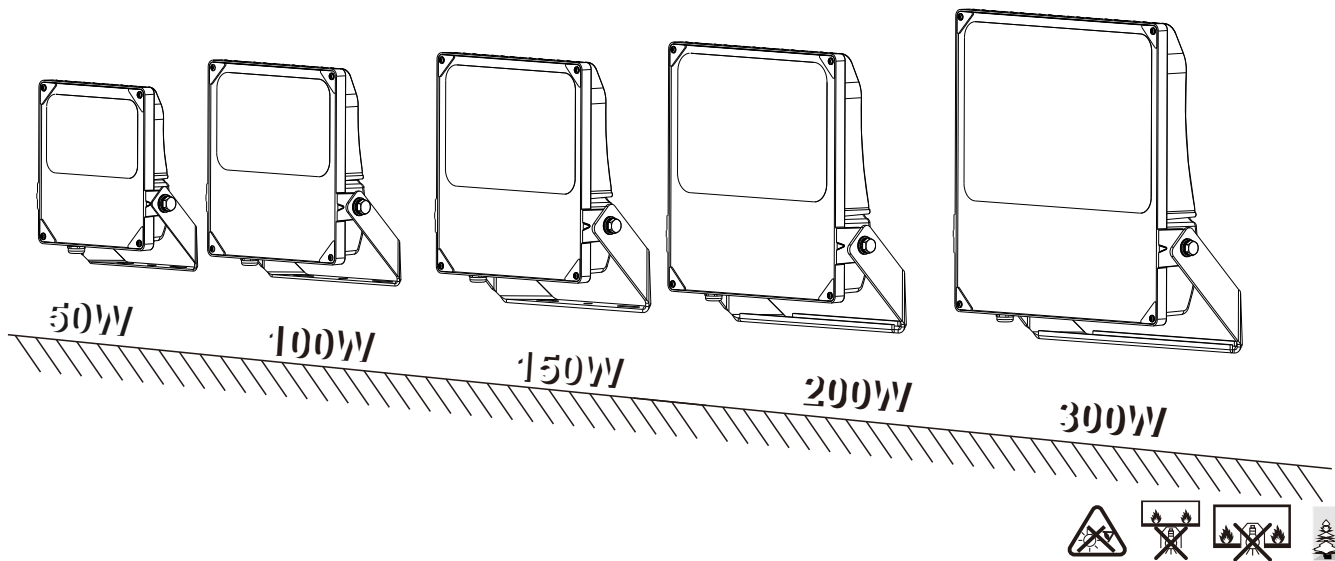
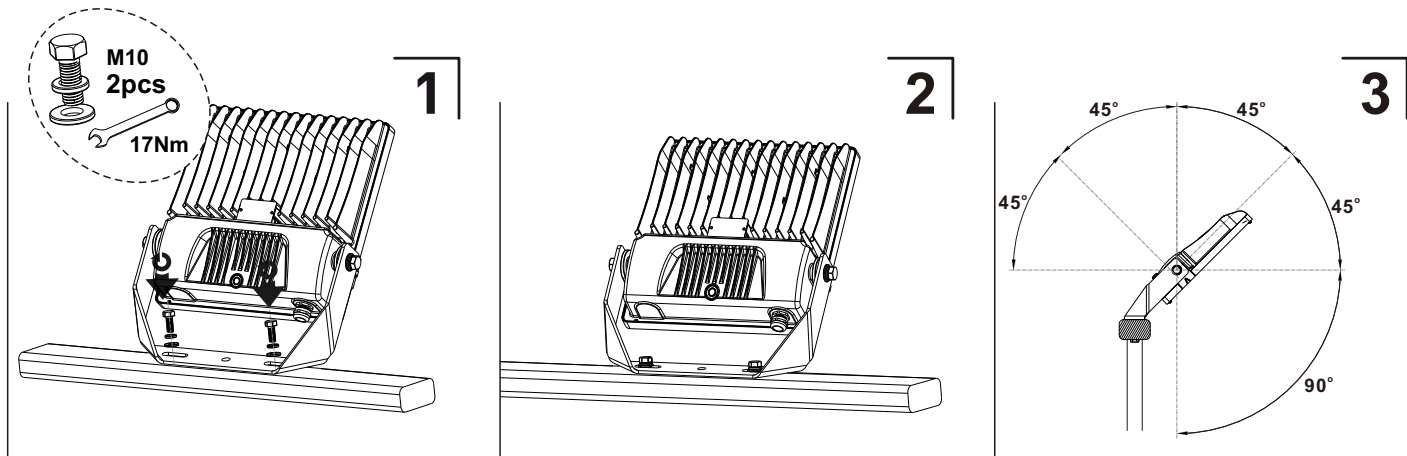


Monteringsvejledning

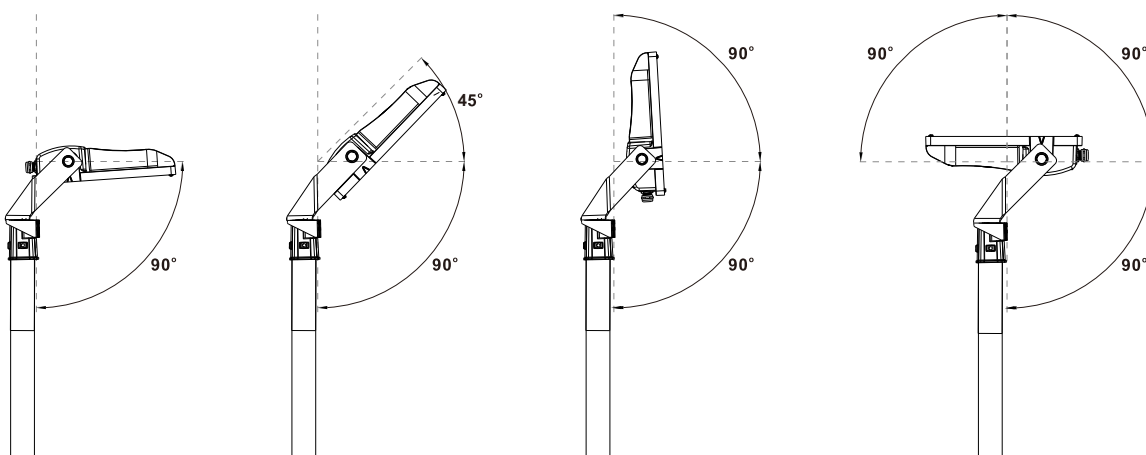
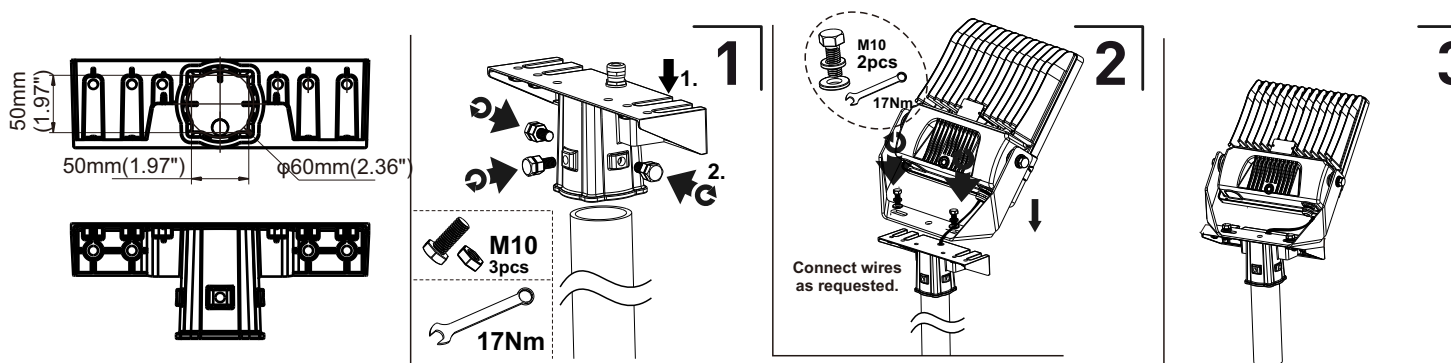


Product Specifications	50W	100W	150W	200W	300W
Size (L x W x H)	267x228x55mm (10.51"x8.99"x2.17")	314x269x61mm (12.36"x10.59"x2.40")	360x302x67mm (14.18"x11.89"x2.64")	398x343x70mm (15.67"x13.5"x2.76")	470x406x80mm (18.50"x15.98"x3.15")
Weight (Driver included)	1.8±0.3kg (3.9±0.66Lbs)	2.8±0.3kg (6.2±0.66Lbs)	3.9±0.3kg (8.6±0.66Lbs)	5.3±0.3kg (11.7±0.66Lbs)	8.1±0.3kg (17.8±0.66Lbs)
Effective Projected Area (EPA)	0.49ft ²	0.71ft ²	0.91ft ²	1.18ft ²	1.73ft ²
Input Voltage	220-240 VAC				
Working Temperature	-30°C to +50°C (-22°F to +122°F)				
Storing Temperature	-40°C to +70°C (-40°F to +158°F)				

Monteringsvejledning



2



3

L	brown	black	Dimmable				
N	blue	white	DIM+ / DA1	blue	brown	purple	white
⊕ GND	yellow/green	green	DIM- / DA2	white	blue	gray	black

Hvis det eksterne fleksible kabel eller ledning i dette armatur er beskadiget, skal det udskiftes udelukkende af fabrikanten eller hans serviceagent eller en lignende kvalificeret person for at undgå fare.

4