



## SLC ONE SOFT R68-83 BL 480TED 3000K CRI90 IP44 36°

14/03/2023

### SLC1127



### Product description

SLC OneSoft Downlight is a high-quality lighting solution with low glare and easy installation. It fits cut-out holes with a diameter of 68-83mm and can be directly mounted in insulation. It comes fully assembled and in environmentally friendly packaging. It's perfect for lighting rooms with screens and TVs, has a dimmable driver, and is ideal for installation in low-height ceilings. It is CE and ROHS-certified and flicker-free.

If you're looking for a high-quality lighting solution with low glare and easy installation, look no further than SLC OneSoft Downlight. This innovative and flexible downlight fits cut-out holes with a diameter of 68-83mm and can be directly mounted in insulation, eliminating the need for a separate ceiling box.

To make the installation process even easier, SLC OneSoft comes fully assembled and packaged in environmentally friendly, plastic-free packaging. Simply unpack and install - no mess, no fuss.

Not only is SLC OneSoft Downlight practical and easy to install, it's also perfect for lighting rooms with screens and TVs. Its recessed light source ensures even lighting without glare, and it comes complete with a dimmable driver for adjusting the light intensity as needed.

With a built-in low height of just 46mm, SLC OneSoft Downlight is ideal for installation in low-height ceilings. And, as it's CE and ROHS certified, you can be confident that it meets high environmental and safety standards. Plus, it's flicker-free, making it an excellent choice for illuminating work areas where eyes are taxed for longer periods.

In short, SLC OneSoft Downlight is the perfect solution for all your lighting needs.

- Dimmable (TED) driver included
- Recommended dimmer: SLC SmartOne (S24019)
- \*No installation box required (for Trailing Edge version)
- Suitable for outdoor installation\*
- Sea air resistant\*
- Quick connection box with Loop-in / Loop-Out
- 16 mm Cable/Tube connection



### Technical data

|                                |                      |                                 |                |
|--------------------------------|----------------------|---------------------------------|----------------|
| Suitable for built-in mounting | Yes                  | Suitable for suspended mounting | No             |
| Suitable for ceiling mounting  | Yes                  | Adjustability                   | Not adjustable |
| Lamp type                      | LED not exchangeable | With light source               | Yes            |

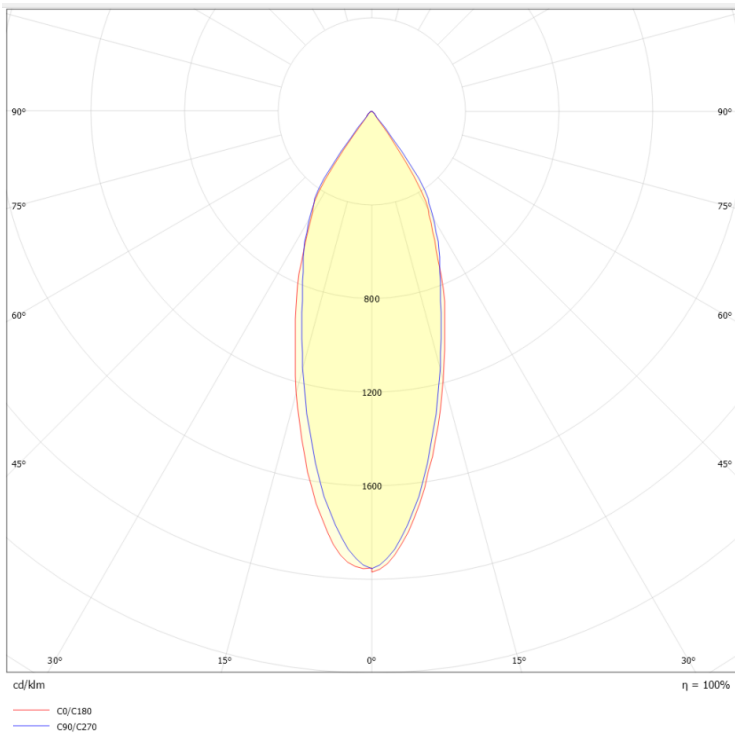
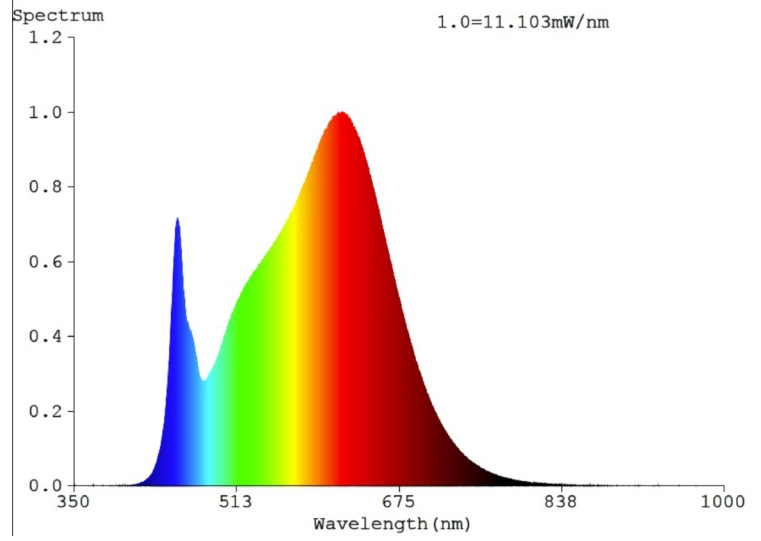
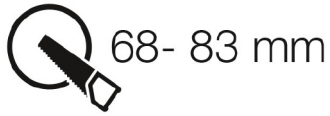
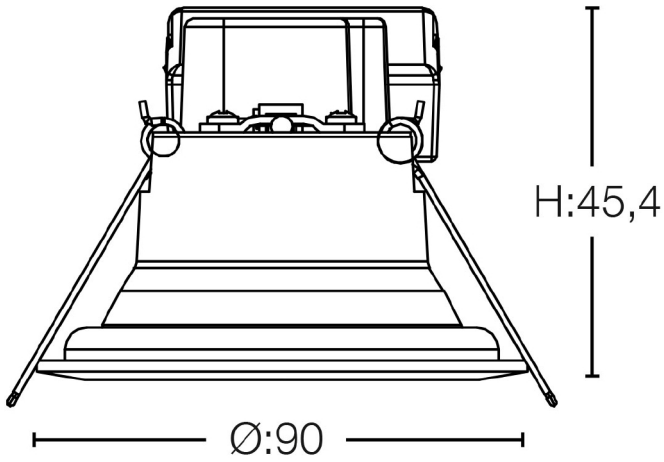




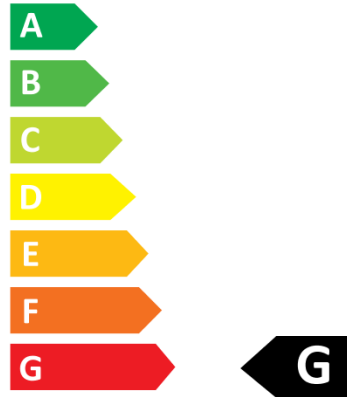
|   |                             |
|---|-----------------------------|
| Housing material                              | Aluminium                   |
| Housing colour                                | Black                       |
| Voltage type                                  | AC/DC                       |
| Nominal current                               | 180 - 180 Milliampere       |
| With control gear                             | Yes                         |
| Reflector                                     | High-gloss                  |
| Light sharing                                 | Symmetric                   |
| Beam angle                                    | Medium beam 21-40°          |
| Energy efficiency class of the light source a | G                           |
| Protection class                              | II                          |
| Suitable for lamp power                       | 8 - 8 Watt                  |
| Colour of light                               | White                       |
| Colour rendering index CRI                    | 90-100                      |
| Rated luminous flux according to IEC 62722-   | 480 Lumen                   |
| Colour of light adjustable                    | No                          |
| Beam angle adjustable                         | No                          |
| Outer diameter                                | 90 Millimetre               |
| Built-in height/depth                         | 46 Millimetre               |
| Type of wiring                                | Suitable for through wiring |
| Conductor cross section                       | 0,35 Square millimetre      |
| Connection type                               | Push-in clamp               |
| Strain relief                                 | Yes                         |
| Beam angle (°)                                | 36                          |
| Operating temperature                         | -10°C ~ +45°C               |
| Cut-out hole (Ø: mm)                          | 68-83                       |
| Dimmable                                      | Yes                         |
| Dimming range                                 | 1-100%                      |
| GTIN  | 7070938061452               |
| HS Code                                       | 94051040                    |

|   |   |
|---|---|
| Surface protection                            | Powder coating                          |
| Material cover                                | Plastic, transparent                    |
| Nominal voltage                               | 220 - 240 Volt                          |
| Type of control gear                          | LED operating device current-controlled |
| Dimming phase cut-off                         | Yes                                     |
| Light distributor                             | Reflector                               |
| Reflector colour                              | Silver                                  |
| Light outlet                                  | Direct                                  |
| Degree of protection (IP)                     | IP44                                    |
| Rated ambient temperature according to IEC    | -10 - 40 Degrees celsius                |
| Max. system power                             | 8 Watt                                  |
| Colour temperature                            | 3000 - 3000 Kelvin                      |
| Luminous flux                                 | 480 - 480 Lumen                         |
| Power factor                                  | 0,9                                     |
| Luminous flux adjustable                      | Continuously variable                   |
| Height/depth                                  | 46 Millimetre                           |
| Built-in width                                | 67 Millimetre                           |
| Built-in diameter                             | 68 - 83 Millimetre                      |
| Number of poles                               | 3                                       |
| Connectable conductor cross section           | 0,75 - 2,5 Square millimetre            |
| Colour consistency (McAdam ellipse)           | SDCM3                                   |
| Colour rendering index (CRI/Ra)               | 90                                      |
| Exterior color                                | White                                   |
| Can be installed directly into the insulation | Yes                                     |
| Dimming method                                | Trailing edge                           |
| Type of control signal                        | Amplitude modulation (AM)               |
| Brand   | SLC                                     |
| Produced by                                   | The Light Group                         |
| RAL Colour                                    | RAL9005                                 |





Scandinavian Lighting Concept  
SLC1127



8 kWh/1000h

