



## SLC PIXEL X3 R105 BB 464TED 3000K CRI90 IP20

06/12/2022

### SLC1263



### Product description

SLC Pixel is a high-end alternative to traditional round downlights that fits well with the trending expression of hard lines and mixed materials in modern interior design. The SLC Pixel's direct distribution of light for illumination of particular areas makes the luminaire versatile in many different environments.

SLC Pixel is a high-end alternative to traditional round downlights that fits well with the trending expression of hard lines and mixed materials in modern interior design. The SLC Pixel's direct distribution of light for illumination of particular areas makes the luminaire versatile in many different environments.

- Dimmable (TED) driver included
- Recommended dimmer: SLC SmartOne (S24019)
- CRI >90 improves vivid colours in any environment
- Low Glare UGR<19
- Quick connection box with Loop-in / Loop-Out

### Technical data

Suitable for built-in mounting	Yes
Adjustability	Not adjustable
Material housing	Aluminium
Colour housing	Black
Voltage type	AC/DC
LED nominal current at constant current	700 - 700 mA
Control gear included	Yes
Reflector	Other
Light sharing	Symmetric
Light outlet	Direct

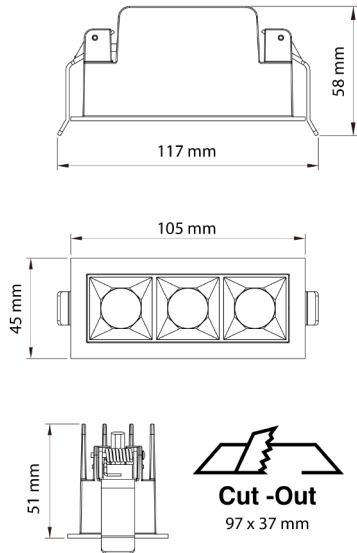
Suitable for ceiling mounting	Yes
Lamp type	LED not exchangeable
Surface protection	Powder coating
Material cover	Plastic, opal
Nominal voltage	200 - 240 V
Type of control gear	LED operating device current-controlled
Dimming phase cut-off	Yes
Light distributor	Diffuser lens/optic/panel
Beam angle	Medium beam 21-40°
Energy efficiency class of the built-in lamp	Other



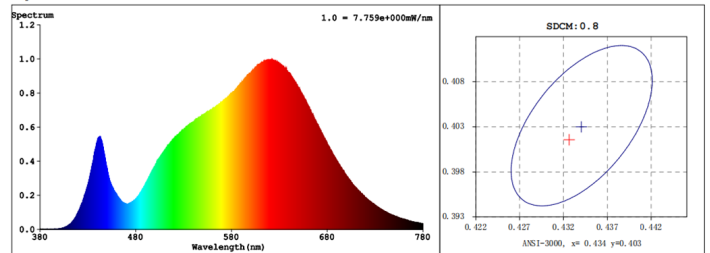


Rated life time L90/B10 at 25 °C	100000 h
Impact strength	IK06
Rated ambient temperature according to IEC	-20 - 45 °C
Colour of light	White
Colour rendering index CRI	90-100
Rated luminous flux according to IEC 62722-	464 lm
Power factor	0,9
Height/depth	51 mm
Built-in width	37 mm
Built-in length	97 mm
Number of poles	2
Connectable conductor cross section	0,75 - 2,5 mm <sup>2</sup>
Colour consistency (McAdam ellipse)	SDCM3
Colour rendering index (CRI/Ra)	90
Glare (UGR)	UGR<19
Operating temperature	-20°C ~ +45°C
Dimming method	Trailing edge, On/Off
Dimming range	1-100%
Produced by	The Light Group

Degree of protection (IP)	IP20
Protection class	II
Max. system power	10,6 W
Colour temperature	3000 - 3000 K
Luminous flux	464 - 464 lm
Lamp efficacy	52 lm/W
Width	45 mm
Length	105 mm
Built-in height/depth	51 mm
Type of wiring	Suitable for through wiring
Conductor cross section	0,75 mm <sup>2</sup>
Connection type	Insulation displacement connector
Strain relief	Yes
Beam angle (°)	36
Exterior color	Black
Can be installed directly into the insulation	No
Dimmable	Yes
Brand	SLC
RAL Colour	RAL9005



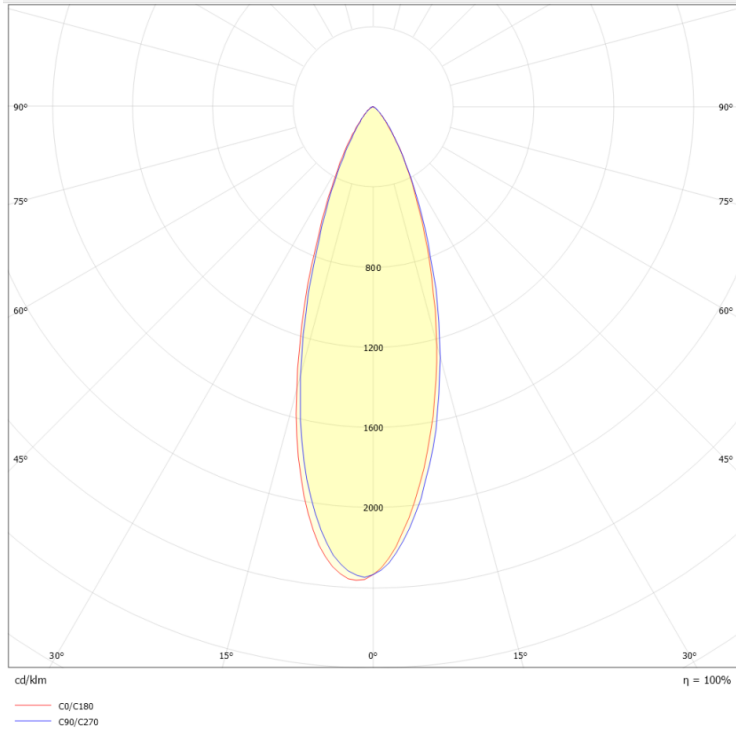
**Spectrum**



**Colorimetric Parameters**

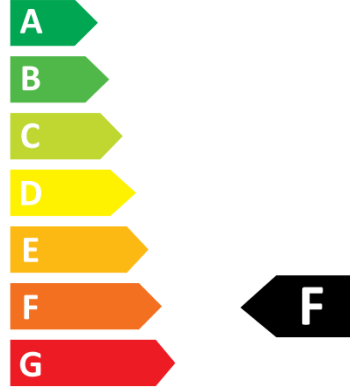
Chromaticity Coordinate:  $x = 0.4325$   $y = 0.4018$  /  $u' = 0.2487$   $v' = 0.5198$  ( $duv = -2.78e-04$ )  
 CCT= 3057K Prcp WL: Ld=582.7nm Purity=50.4%  
 Peak WL: Lp=622nm FWHM: =165.8nm Ratio:R=23.7% G=73.8% B=2.5%  
 Render Index: Ra = 90.5 TM30:Rf=88 Rg=102  
 R1 =91 R2 =93 R3 =93 R4 =92 R5 =91 R6 =91 R7 =91  
 R8 =82 R9 =57 R10=82 R11=93 R12=81 R13=91 R14=95 R15=88  
 CQS Parameters: Qa = 89.6





Scandinavian Lighting Concept

SLC1263



7 kWh/1000h



2019/2015

