



## SLC ONE 360 R68-83 WH 707TED 4000K CRI90 IP44 36°

08/12/2022

### SLC1170



### Product description

One 360° is "a jack of all trades" downlight for all types of installations. If you could only choose One downlight, the One360° would be your best choice. You cant go wrong with a semi-recessed high end LED chip together with tilt/ rotate, iso safe design, flexible cut-out hole and low installation depth. The One 360° thrives just as good in a cornice in the Norwegian winter mountains as in a warm and cosy living room.

One 360° is "a jack of all trades" downlight for all types of installations. If you could only choose One downlight, the One360° would be your best choice. You cant go wrong with a semi-recessed high end LED chip together with tilt/ rotate, iso safe design, flexible cut-out hole and low installation depth. The One 360° thrives just as good in a cornice in the Norwegian winter mountains as in a warm and cosy living room.

- Dimmable (TED) driver included
- Recommended dimmer: SLC SmartOne (S24019)
- \*No installation box required (TED)
- Tilttable 30° in all directions (360°)
- Suitable for outdoor installation\*
- Quick connection box with Loop-in / Loop-Out
- 16 mm Cable/Tube connection



### Technical data

Suitable for built-in mounting	Yes
Suitable for suspended mounting	No
Adjustability	Rotating and swivelling
With light source	Yes
Surface protection	Powder coating
Material cover	Plastic, transparent
Voltage type	AC/DC

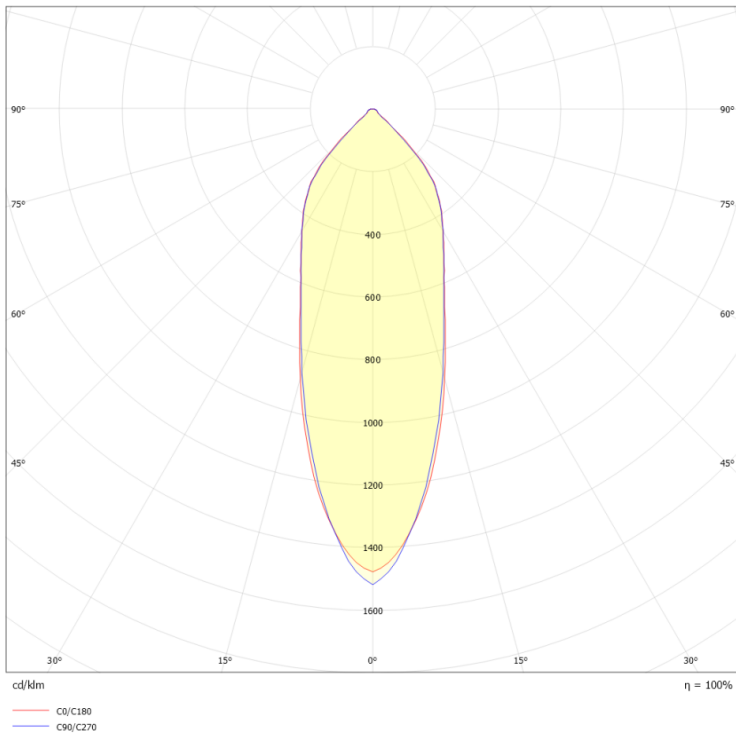
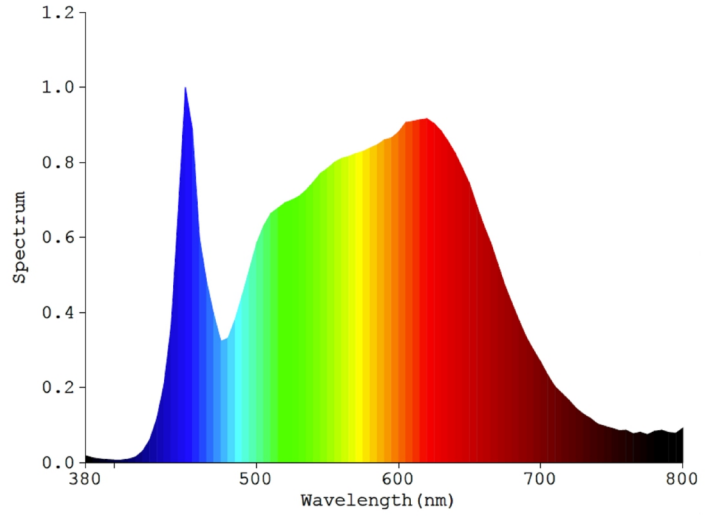
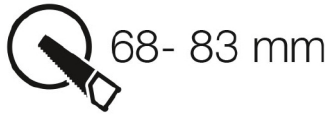
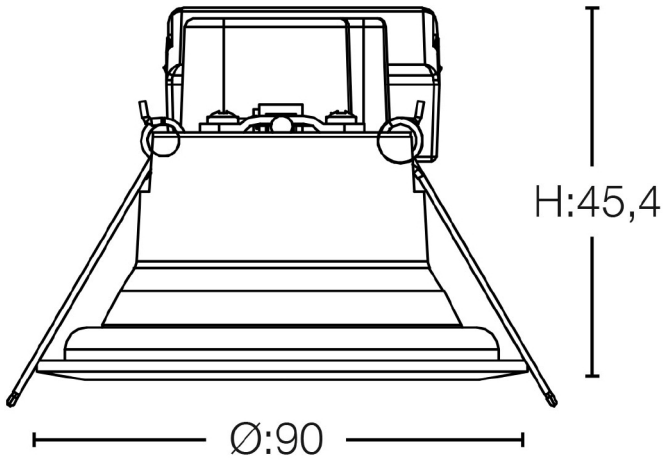
Suitable for wall mounting	No
Suitable for ceiling mounting	Yes
Lamp type	LED not exchangeable
Material housing	Aluminium
Colour housing	White
Surface brushed	No
Nominal voltage	220 - 240 V



LED nominal current at constant current	180 - 180 mA
Control gear included	Yes
Reflector	High-gloss
Light sharing	Symmetric
Light outlet	Direct
Degree of protection (IP)	IP44
Rated ambient temperature according to IEC	-10 - 45 °C
Colour of light	White
Colour rendering index CRI	90-100
Rated luminous flux according to IEC 62722-	707 lm
Power factor	0,9
Built-in width	67 mm
Built-in diameter	68 mm
Number of poles	3
Connectable conductor cross section	0,75 - 2,5 mm <sup>2</sup>
Luminaire efficacy	75 lm/W
Strain relief	Yes
Beam angle (°)	36
Rotate (°)	30
Operating temperature	-10°C ~ +45°C
Cut-out hole (Ø: mm)	68-83
Dimmable	Yes
Dimming range	1-100%
GTIN	7070938061377
HS Code	94051040

Type of control gear	LED operating device current-controlled
Dimming phase cut-off	Yes
Light distributor	Reflector
Beam angle	Medium beam 21-40°
Rated life time L80/B10 at 25 °C	50000 h
Protection class	II
Max. system power	8 W
Colour temperature	4000 - 4000 K
Luminous flux	707 - 707 lm
Lamp efficacy	88 lm/W
Outer diameter	90 mm
Built-in height/depth	46 mm
Type of wiring	Suitable for through wiring
Conductor cross section	0,35 mm <sup>2</sup>
Connection type	Plug clamp
Colour consistency (McAdam ellipse)	SDCM3
Colour rendering index (CRI/Ra)	90
Tilt-able (°)	360
Exterior color	White
Can be installed directly into the insulation	Yes
Dimming method	Trailing edge
Type of control signal	Amplitude modulation (AM)
Brand	SLC
Produced by	The Light Group
RAL Colour	RAL9016





ENERGY label for SLC1170 showing an energy efficiency class of 8 kWh/1000h and a QR code.